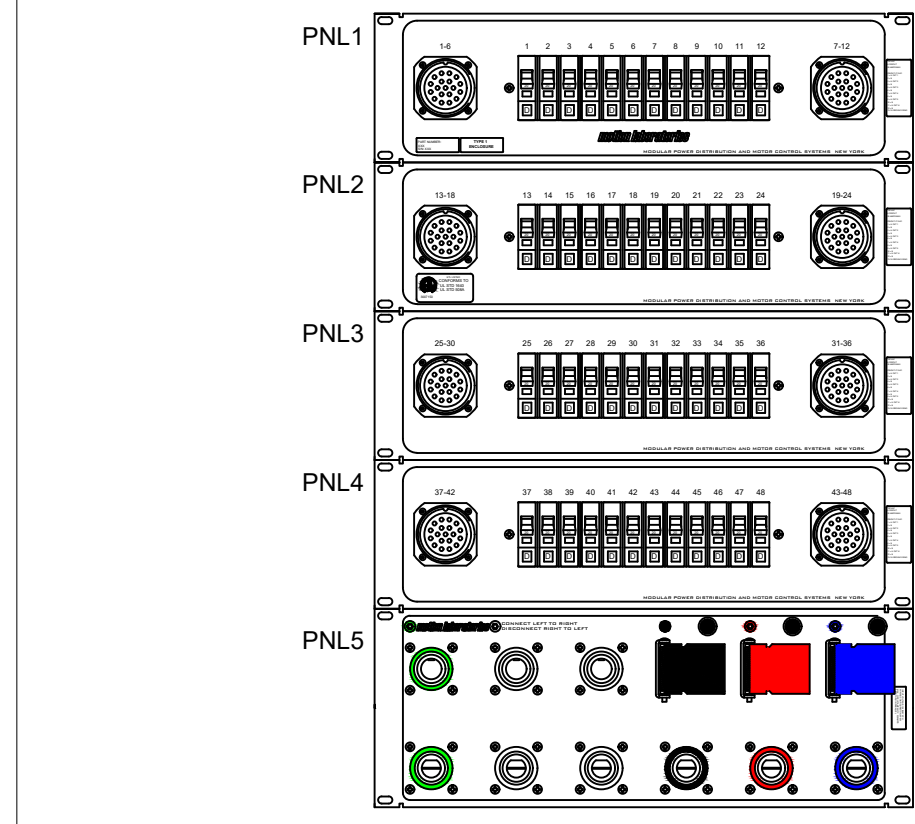
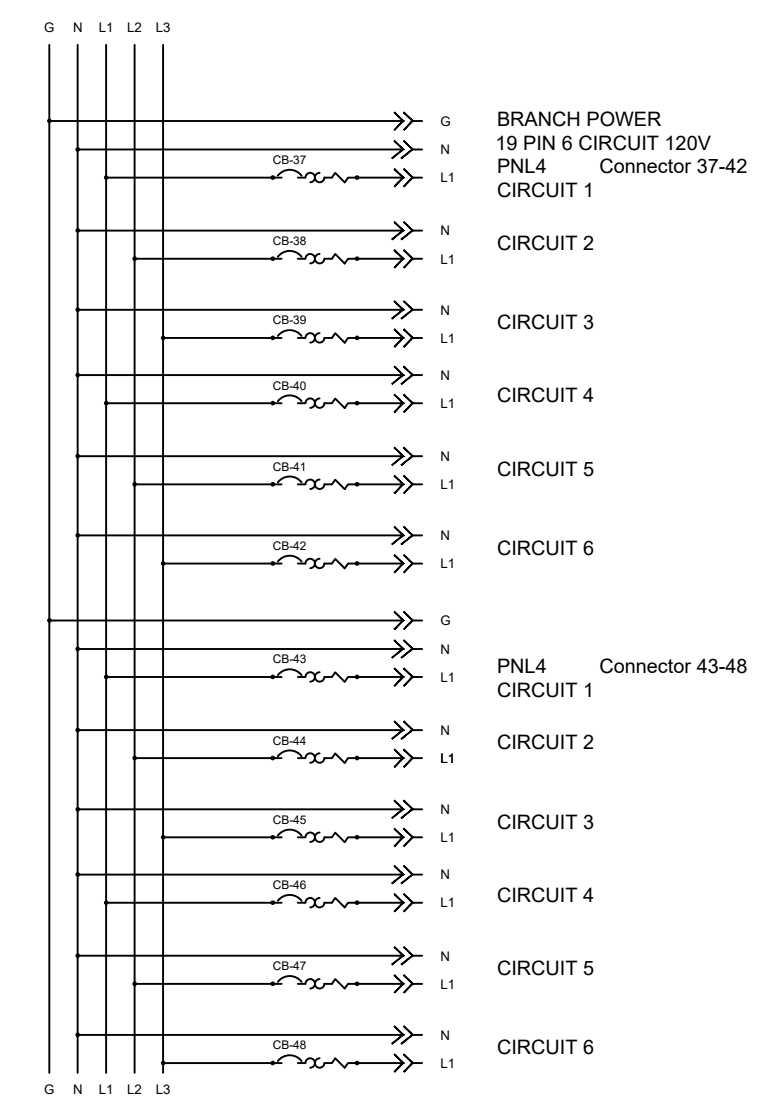
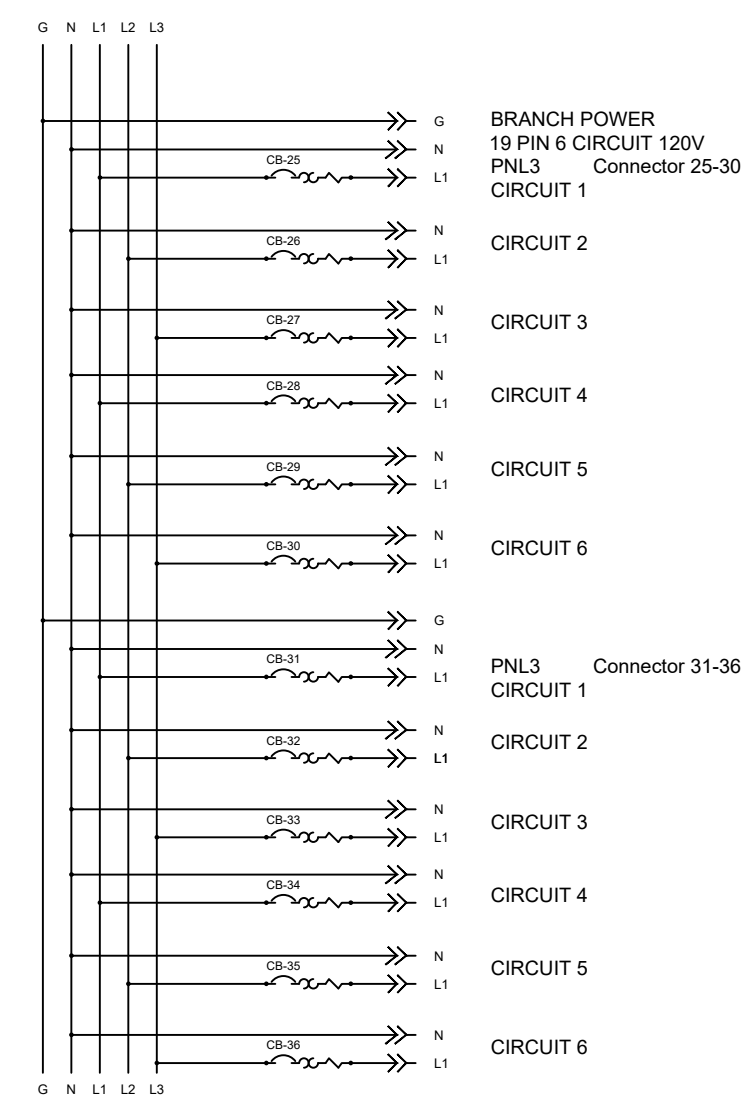
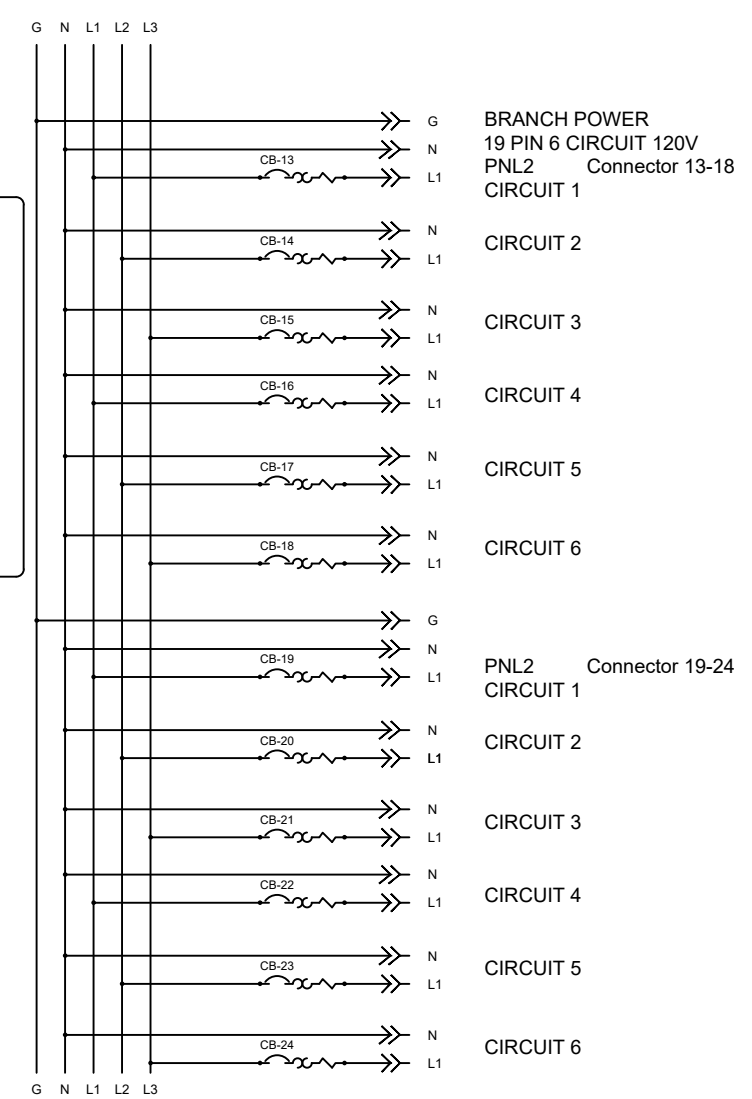


120VAC
6 CIRCUIT
20 AMPS MAX.

PINOUT: P19-01
1 = H CKT 1
2 = N
3 = H CKT 2
4 = N
5 = H CKT 3
6 = N
7 = H CKT 4
8 = N
9 = H CKT 5
10 = N
11 = H CKT 6
12 = N
13-19 GROUND RING



REV	DESCRIPTION	DATE	APPROVED
A	ORIGINAL RELEASE. DC 3/17/26	3/18/26	SB

 520 Furnace Dock Road Corlandt Manor, NY 10567	TITLE	<table border="1"> <tr> <td>DRAWN BY</td> <td>DATE DRAWN</td> <td>SIZE</td> <td>DRAWING NUMBER</td> </tr> <tr> <td>DC</td> <td>3/17/26</td> <td>D</td> <td>1300-000-16-1-01</td> </tr> </table>	DRAWN BY	DATE DRAWN	SIZE	DRAWING NUMBER	DC	3/17/26	D	1300-000-16-1-01	REV
	DRAWN BY	DATE DRAWN	SIZE	DRAWING NUMBER							
DC	3/17/26	D	1300-000-16-1-01								
SCHEMATIC	<table border="1"> <tr> <td>CHECKED BY</td> <td>DATE CHECKED</td> </tr> <tr> <td>SB</td> <td>3/18/26</td> </tr> </table>	CHECKED BY	DATE CHECKED	SB	3/18/26	A					
CHECKED BY	DATE CHECKED										
SB	3/18/26										

MODEL FILENAME & PATH: K:\DRAWING\CB\Schematic\Final Assembly\1300-000-16-1-01.dwg

SHEET 1 OF 1